

MAXICONFORT VISCO CUSHIONS



Description

We have the following viscoelastic anti-decubitus cushions from the Maxiconfort line:

- Maxiconfort square cushion.
- Maxiconfort horseshoe cushion.
- Round Maxiconfort cushion with hole.

Effects and advantages

Within the line of memory foam cushions it is one of the best-selling models. Recommended for those people who remain seated for long periods of time due to reduced mobility, sedentary life, etc. Likewise, depending on the pathology (postpartum, hemorrhoids, fistulas, prostate operations, etc.), one way or another is recommended to relieve pressure in the affected area.

Saniluxe cover properties:

Anti-mite, anti-fungal, anti-bacterial, anti-odor, anti-stain, breathable, fire-retardant, waterproof, soft, washable and non-slip.

Installation

It must be verified that the cushion adapts to the seat where we are going to use it. Use the flat surface. In the case of the horseshoe model, the open part must be positioned at the back of the backrest (see fig. 1).

Composition

- Saniluxe outer cover:

Two-layer fabric:

100% polyurethane coating and 100% polyester fabric interior. Fabric thickness 230g / m².

- Core:

Maxiconfort square cushion: Memory foam made by plates, commonly known as open-pore memory foam.

Maxiconfort horseshoe and round cushion: They have two layers.

Layer 1: Superficial 4cm of viscoelastic made by plates, commonly known as open-pore memory foam.

Layer 2: 4cm tatami base.

Dimensions

- Square and horseshoe: 42x42x8cm.
- Round with hole: 42x8cm.

Maintenance

Cover washable by hand or machine with neutral detergent at 95°C, eliminating spinning.

Do not use abrasive products and / or bleach.

Tumble dry at reduced temperature.

Do not iron.

IMPORTANT:

DO NOT WET THE VISCOELASTIC.

Warranty

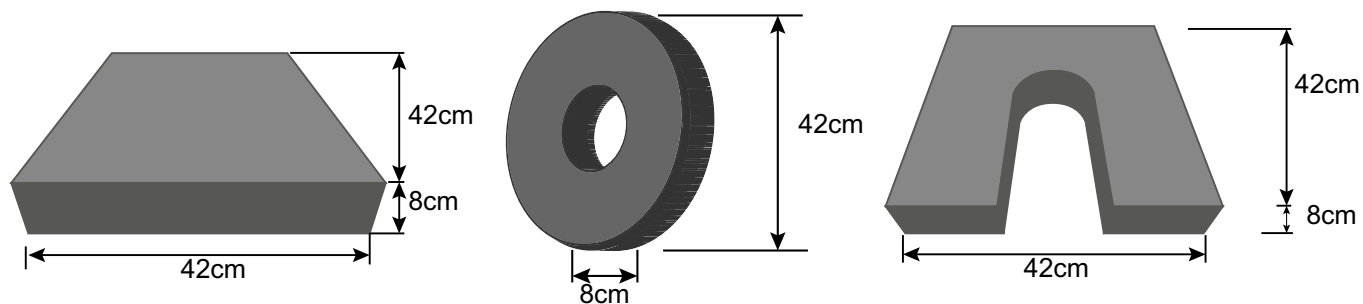
The warranty period for all cushions except Liquid Float and Silicone is two years from the date of purchase of the cushion. Liquid Flotation and Silicone cushions have a 3-month warranty. This warranty does not cover normal wear and tear of the product and does not replace legal warranties. Please contact the quality department of the company in case of incident to resolve it.

Product life span

1 year.

Anti-decubitus

Maxiconfort visco cushions Models

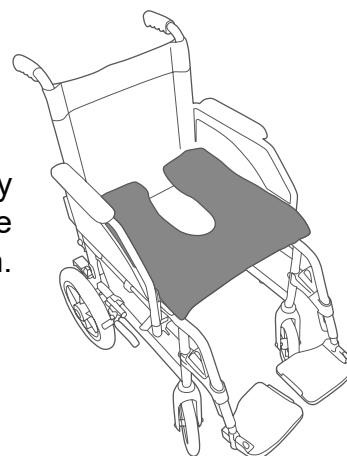


Colours



Graphite

Fig. 1: Correct way to place a horseshoe cushion.



MODEL	VERSION	MAXIMUM SUPPORT WEIGHT	RISK LEVEL	DENSITY	DIMENSIONS (CM)	REF.
Cojines Maxiconfort	Square	95kg	Medium	50kg/m ³	42x42x8	102100
	Round	80kg	Hight	50kg/m ³ + Tatami	Ø42x8	102160
	Horseshoe	80kg	Medium	50kg/m ³	42x42x8	102300

