

ERGOPLUS CUSHIONS



Description

Ergoplus 42 and 45 visco-elastic anti-decubitus cushions with abductor heel.

Effects and advantages

Antieskin and anatomical, facilitating the position of the legs. High density injected viscoelastic.

Anti-mite, anti-bacterial, anti-fungal, fireproof, waterproof and washable.

Composition

Saniluxe waterproof polyurethane cover (60% polyester and 40% polyurethane).

High density viscoelastic.

Zip fastening.

Dimensions

- Square and with abductor block: 42x42x8cm.

- Square: 45x42x8,5cm.

Maintenance

Cover can be washed by hand or machine washed with neutral detergent at 60°C without spin-drying.

Do not use abrasive products and/or bleach.

Can be dry cleaned.

Tumble dry at low temperature.

Do not iron.

**IMPORTANT:
DO NOT WET THE VISCOELASTIC.**

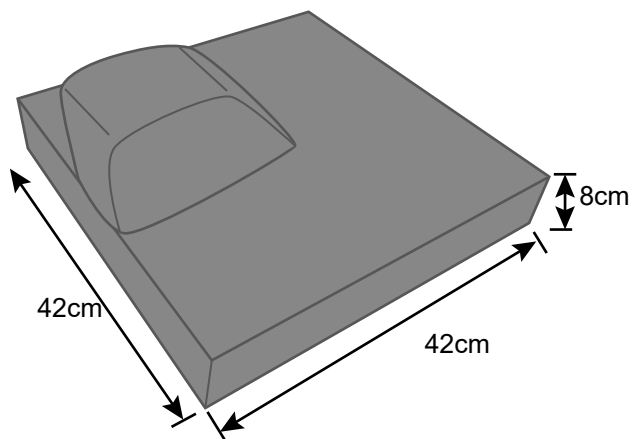
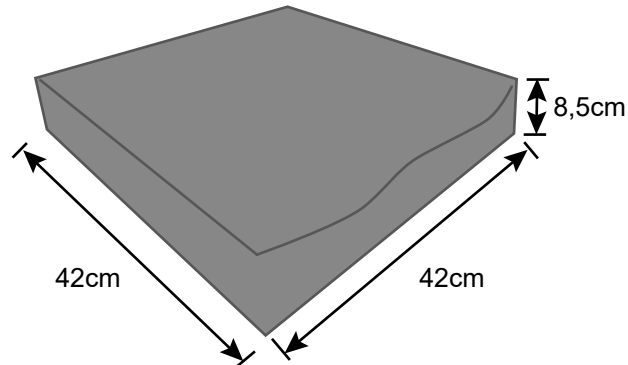
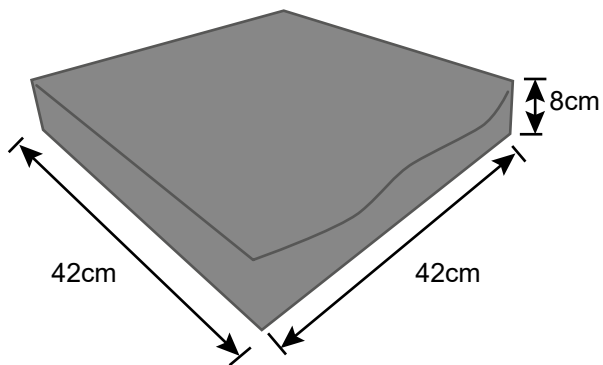


The warranty period for all cushions except Liquid Flotation and Silicone cushions is two years from the date of purchase of the cushion. The Liquid Flotation and Silicone cushions are guaranteed for 3 months. This warranty does not cover normal wear and tear of the product and does not replace legal warranties. Please contact the company's quality department in the event of an incident in order to resolve it.

Warranty

Anti-decubitus

Ergoplus cushions Models



Colours



Graphite

MODEL	VERSION	DIMENSIONS (CM)	REF.
Ergoplus cushions	Square	42x42x8	102405
		45x42x8,5	102407
	Abductor	42x42x8	102408

