

## SANILUXE TRINUCLEO FIBRE CUSHION



### Description

Saniluxe anti-decubitus cushion with terlenka fibre tri-core. Silicone hollow fibre divided into three cores through which air circulates, relieving pressure and activating blood circulation.

### Effects and advantages

It frees the pressure area and activates blood circulation, thus preventing the appearance and formation of bedsores or pressure ulcers (UPP). Recommended to increase user comfort and prevent the appearance of redness and bedsores in cases where the user has to remain in the same position for long periods of time. It is made with a double side, one waterproof and the other made of terlenka fibre.

### Composition

Double-sided cushion, one waterproof and the other made of terlenka fibre.

- Saniluxe polyurethane (60% polyester and 40% polyurethane).
  - Terlenka (50% cotton and 50% polyester).
- Fibre filling.

### Dimensions

44x44x16cm

### Maintenance

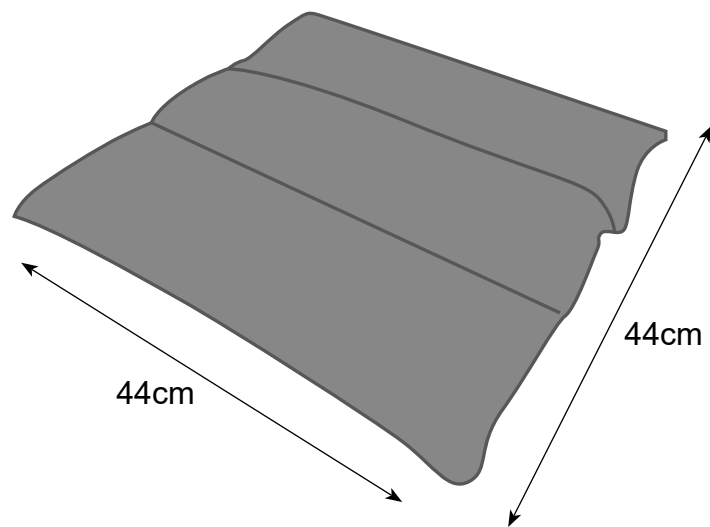
Hand or machine washable with neutral detergent at 95°C, without spin-drying. Avoid abrasive products. Tumble dry at low temperature. Do not iron. Do not bleach. Dry horizontally.

### Warranty

The warranty period for all cushions except Liquid Flotation and Silicone cushions is two years from the date of purchase of the cushion. The Liquid Flotation and Silicone cushions are guaranteed for 3 months. This warranty does not cover normal wear and tear of the product and does not replace legal warranties. Please contact the company's quality department in the event of an incident in order to resolve it.

# Anti-decubitus

## Saniluxe trinucleo fibre cushion Models

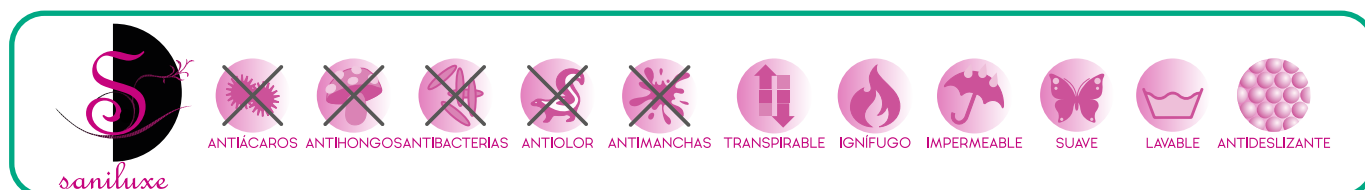


## Colours



Graphite

MODEL	DIMENSIONS (CM)	COLOUR	REF.
Saniluxe trinucleo fibre cushion	44x44x16	Graphite	114150



CE

ubiotex catalogue  
www.ubiotex.com