

SANIDARE STANDARD CUSHION



Description

Sanidare toilet seat cushion.

Effects and advantages

In addition to making the toilet more comfortable for patients who spend long periods of time on the toilet (cancer patients, palliative care patients, etc.) thanks to its height, it serves as a technical aid to facilitate toilet positioning. It is also recommended for post-operative hip surgery.

Composition

Foam core (polyurethane foam).
Vinyl: 70% PVC, 30% polyester.
Zip and velcro closure.

Dimensions

36x44x4

Maintenance

Machine washable cover at 60°C.
Dry at low temperature.
Do not bleach.

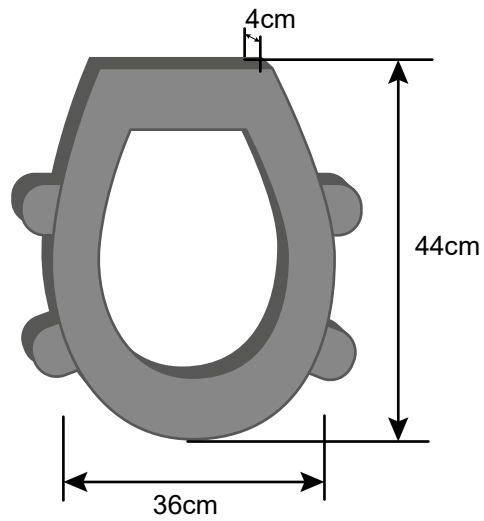
Warranty

The warranty period for all cushions except Liquid Flotation and Silicone cushions is two years from the date of purchase of the cushion. The Liquid Flotation and Silicone cushions are guaranteed for 3 months. This warranty does not cover normal wear and tear of the product and does not replace legal warranties. Please contact the company's

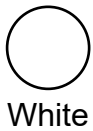
quality department in the event of an incident in order to resolve it.

Anti-decubitus

Sanidare Cushion Models



Colours



MODEL	DIMENSIONS (CM)	REF.
Sanidare cushion	36x44x4	115100
Sanidare cushion cover		115900

