

## ANATOMICAL CYLINDER



### Description

Positioning cushions in cylindrical and semi-cylindrical shapes.

### Effects and advantages

Cylindrical or semi-cylindrical positioning cushions allow the patient to elevate the foot or leg to reduce swelling or to better position the legs and back.

### Composition

- Terlenka or papelin cover with siliconised polyester fibre filling. Elastic band.
- Bamboo cover: 30% bamboo and 70% polyester. Silicone polyester fibre filling. Elastic band.
- Foam: Terlenka cover with foam core. Zip fastening.

### Dimensions

- Cylinder: Ø 18x46cm
- Half cylinder: 2,5x60cm

### Maintenance

Hand or machine washable with non-abrasive products at a maximum temperature of 30°C, up to 60°C in the case of the anatomical winter cylinder.

Can be tumble dried.

Can be ironed.

### Warranty

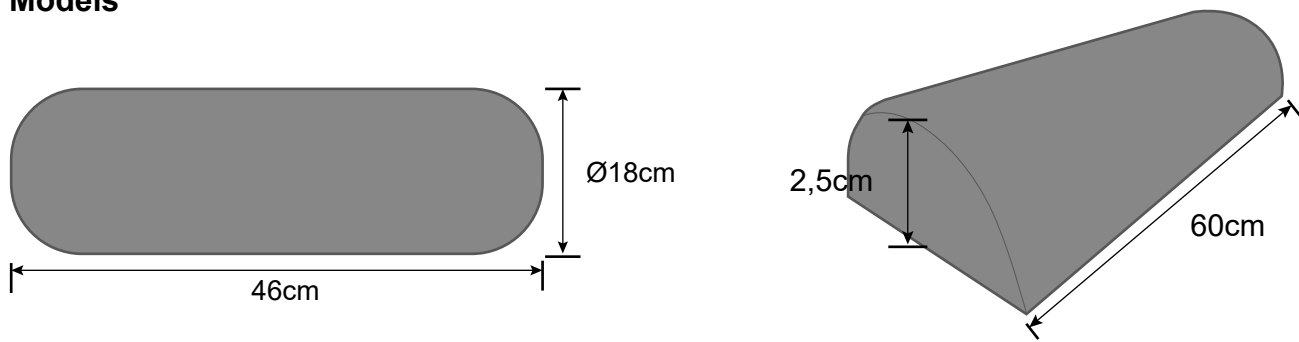
The warranty period is two years.



from the date of purchase of the cushion. This warranty does not cover normal wear and tear of the product and does not replace legal warranties. Please contact the company's quality department in the event of an incident in order to resolve it.

Product duration: 1 year.

## Anatomical Cylinder Models



## Colors



White



Bamboo



Blue



Grey

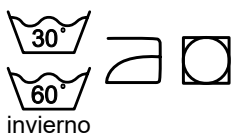


Blue



Black

DIMENSIONES (CM)	MODELO	COLOR	REF.
Ø18x46	Cilindro Terlenka	Blanco	601100
		Gris	601104
		Marino	601106
		Azul	601108
	Cilindro Bamboo	Bambú	601102
	Cilindro Invierno		601300
	Cilindro Foam	Grafito	601400
2,5x60	Semicilindro Foam	Grafito	601402



BIODEGRADABLE

TRANSPIRABLE

ANTIBACTERIAS

ANTHONGOS

ANTIOLOR