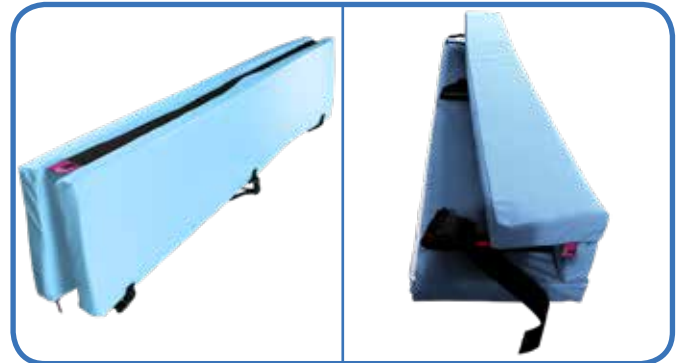


BARANDEX SIDEBAR PROTECTOR



Description

Barandex padded sidebar protectors.

Effects and benefits

They protect the patient from hitting the rails and prevent arms and legs from getting caught between the railing bars.

They are padded, waterproof and anti-allergenic.

Composition

- Exterior: 100% polyurethane.
 - Inside: foam.
 - Straps: polypropylene.
- Buckle fastening.

Dimensions

According to reference.

Maintenance

Minimal maintenance is required. Simply wipe with a damp cloth or washcloth.

It can also be washed by hand or machine washed up to a maximum of 90°C.

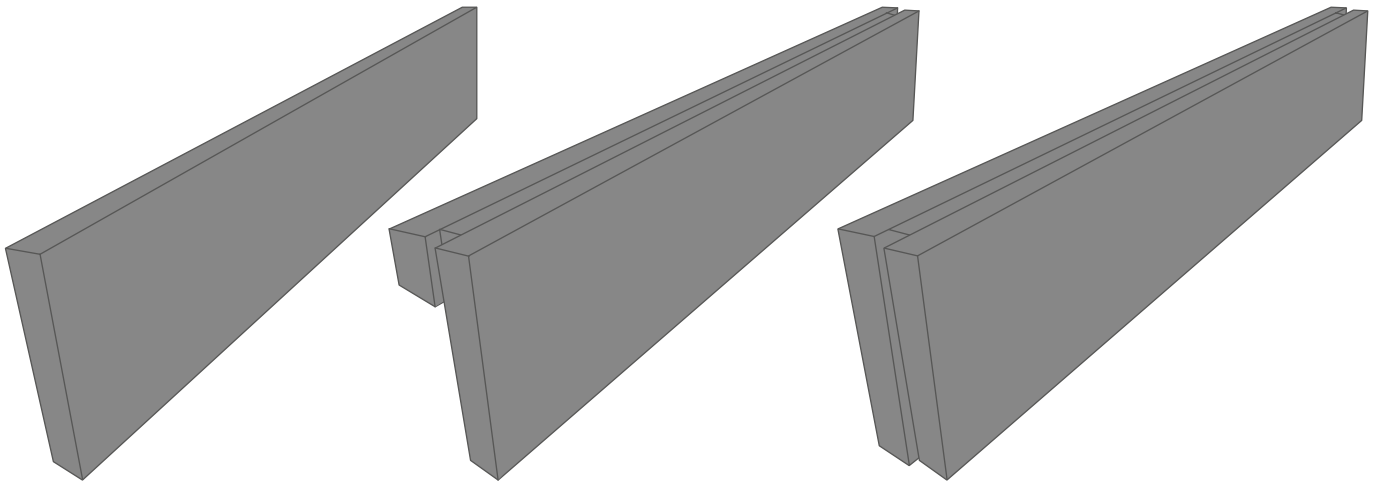
It can be tumble dried.

Do not use bleach or abrasive products.

Warranty

The warranty period is two years from the date of purchase. This warranty does not cover normal wear and tear of the product and does not replace legal warranties. Please contact the company's quality department in the event of an incident in order to resolve it.

Barandex sidebar protector Models



Colours



Light blue

MODEL	DIMENSIONS (CM)	REF.
Barandex sidebar protector	140X35	703100
	170x35	703102
	190x35	703103
Double sided	140x35	703110
Superior protection	140x35x3,5	703115
Header / Footer	85x35	703400

