

## CHILD SIDEBAR PROTECTOR 140X35



### Description

Removable child guardrail protector.

### Effects and benefits

Protects patients from blows against the handrail and prevents their arms and / or legs from getting stuck between the bars of the handrail.

Made of foam covered with waterproof polyurethane.

### Composition

Foam core, 100% polyurethane cover in printed color with zip closure. Handrail closure system with polypropylene straps with buckles.

### Dimensions

Closed: 140x35cm

### Maintenance

Removable.

Requires minimal maintenance. Simply wipe with a damp cloth or cloth.

It can also be washed by hand or machine up to a maximum of 90°C.

Dryer tolerant.

Do not use bleach or abrasive products.

### Warranty

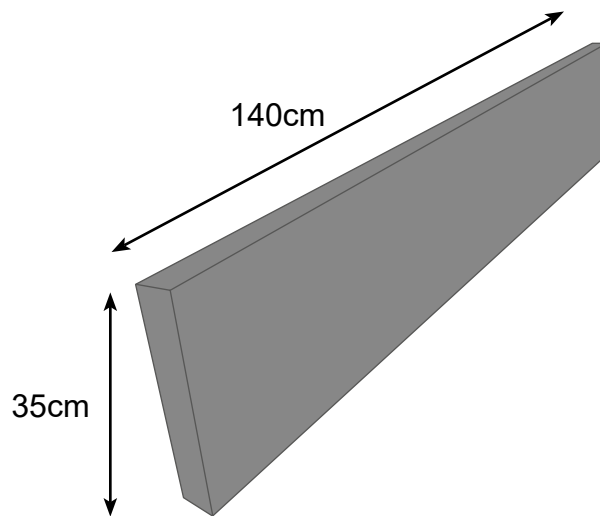
The warranty period is two years from the date of purchase. This warranty does not cover normal wear and tear on the product and does



not replace legal warranties. Please contact the quality department of the company in case of incident to resolve it.

## Child sidebar protector 140x35

### Models



3,5cm deep

### Colours



Children's  
print



Fruits print

| MODEL                   | DIMENSIONS (CM) | COLOR        | REF.   |
|-------------------------|-----------------|--------------|--------|
| Child sidebar protector | 140x35          | Bear print   | 703150 |
|                         |                 | Fruits print | 703155 |

