

## PVC SIDEBAR PROTECTOR



### Description

PVC padded sidebar protectors.

### Effects and benefits

They protect the patient from hitting the rails and prevent arms and legs from getting caught between the railing bars.

They are padded, waterproof and anti-allergenic.

### Composition

- Exterior: Vinyl: 30% polyester and 70% PVC.
  - Inside: HR foam.
  - Straps: polypropylene.
- Buckle fastening.

### Dimensions

According to reference.

### Maintenance

Minimal maintenance is required. Simply wipe with a damp cloth or washcloth.

It can also be washed by hand or machine washed up to a maximum of 90°C.

It can be tumble dried.

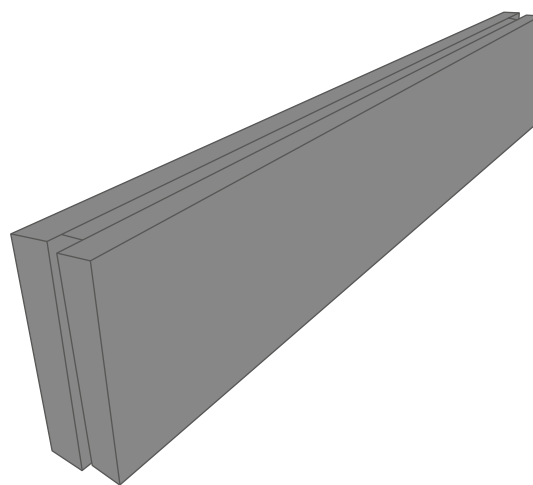
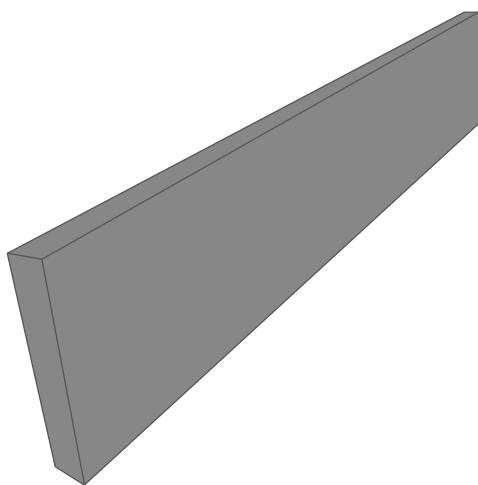
Do not use bleach or abrasive products

### Warranty

The warranty period is two years from the date of purchase. This warranty does not cover normal wear and tear of the product and does not replace legal warranties. Please contact the company's quality department in the event of an incident in order to resolve it.

## PVC sidebar protector

### Models



### Colours



White

MODEL	DIMENSIONS (CM)	REF.
PVC sidebar protector	140X35	703306
	170x35	703307
	190x35	703308
Double sided	140x35	703310

